

E150 SERIES



E150 Linear Actuators

Thomson has many years of experience designing and manufacturing linear actuators for a wide variety of applications on agricultural equipment, school buses, industrial sweepers, vans for the disabled, and other mobile applications. The Thomson actuator you have purchased is a well-designed, high quality unit which will provide consistent, maintenance-free service throughout its life.

This manual provides complete information needed to install and troubleshoot Thomson E150 Series Linear

Actuators. All of these products are easy to apply and require no maintenance.

Please follow the instructions provided in this manual carefully to ensure safe, reliable operation. The Application Notes are of paramount importance. Be sure to read them thoroughly before proceeding with installation. All stated or implied manufacturer's warranties are voided if this product is not installed and operated in accordance with these instructions.

Table of Contents

| | |
|---|--|
| <p>Specifications2</p> <p>Application Notes3</p> <p>Mounting3</p> <p>Electrical Installation4</p> <p style="padding-left: 20px;">DC Wiring 4</p> <p style="padding-left: 20px;">AC Wiring5</p> <p style="padding-left: 20px;">Wire Gauge Selection6</p> | <p>Electrical Installation (cont.)</p> <p style="padding-left: 20px;">Switches6</p> <p style="padding-left: 20px;">Connectors6</p> <p style="padding-left: 20px;">Limit Switch Adjustment7</p> <p>Troubleshooting8</p> <p>Dimensions8</p> <p>Motor Curves9</p> |
|---|--|

Specifications

| Rated Dynamic | AC | Load | DC | |
|------------------------------------|---|----------|-------------|---|
| | 1.80 in/sec | 110 lbs. | 1.80 in/sec | Stroke Length (inches): 1, 2, 4, 6, 8, 10, 12, 14, 16 (<i>16 inch stroke not available on units with potentiometer</i>) |
| | 0.80 in/sec | 225 lbs. | 0.80 in/sec | |
| | 0.36 in/sec | 450 lbs. | 0.40 in/sec | |
| Static Load (DC Models): | Two times rated dynamic load | | | End Play: Maximum 0.048 inch 110 lb. model; maximum 0.020 inch on 225 and 450 lb. models not including mounting pins |
| Static Load (AC Models): | Same as dynamic load | | | |
| Power Required (DC Models): | 14.0 amps @ 12 volts | | | Mounting: Mounted with parallel pins equally supported on both ends. Actuator is not to be mounted from outer cover tube. Actuator has internal anti-rotation to prevent rotation of extension tube. |
| <i>At Full Rated Dynamic Load</i> | 7.0 amps @ 24 volts | | | |
| Power Required (AC Models): | 4.7 amps @ 36 volts | | | |
| <i>At Full Rated Dynamic Load</i> | 1.3 amps @ 115 volts | | | Lead Wires: 16 AWG PVC, 85°C insulation |
| Duty Cycle: | Twenty-five percent "on" time at 75°F at rated load (higher duty cycles at lower loads) | | | |
| Life: | 40,000 cycles, (B10 Life) | | | End of Stroke (DC Model): Stall, or use independently adjustable internal limit switches for end of stroke control. (See wiring schematic) |
| Motor Protection: | Automatically resetting thermal overload protection. Not available on 36VDC | | | |
| Overload Protection: | Actuator will stall when overloaded, causing the motor thermal breaker to open if power is not removed. | | | End of Stroke (AC Model): Do not stall. Internal limit switches on LN and LP units. Use pot or other limit switches for end of stroke protection. (See wiring schematic) |
| Temperature Range: | -30°F to +150° F | | | |
| | | | | Feedback: Optional, 10 turn, 10K potentiometer: 557 ohms/inch change on 110 lb. models 585 ohms/inch change on 225 lb. models 592 ohms/inch change on 450 lb. models |

Application Notes

1. Always make sure power is off before attempting to work on or near the actuator and its electrical controls.
2. The duty cycle for the E150 is 25% "on" time. " For instance, an actuator operating at rated load for 10 seconds must remain off for 30 seconds before operating again. Exceeding this maximum will cause the motor to overheat and trip its internal thermal breaker. On" time is further defined as the time to complete one full extension and retraction. Maximum continuous "on" time is load related and should never exceed 50%.
3. E150 actuators are weather protected for use in outdoor applications, but they are not waterproof and should not be used in underwater conditions. The vent tube in the wiring harness must be positioned to prevent water entry. The vent tube can be lengthened to end in a more suitable location to prevent water entry by using a barbed 1/16" I.D. connector and adding a desired length of 1/16" I.D. tubing.
4. E150 actuators are not explosion or dust ignition proof. Do not use in these types of environments.
5. E150 actuators are factory lubricated for life. No disassembly is ever required for routine maintenance purposes.

Mounting

Thomson actuators are quickly and easily mounted by slipping pins through the holes on each end of the unit and into brackets on the machine frame and the load.

.375 inch (8 mm) diameter solid pins provide maximum holding strength and a retaining or cotter pin on each end will prevent the solid pin from falling out of its mounting bracket. Roll or spring type mounting pins should be avoided. The mounting pins must be parallel to each other as shown in Figure 1. Pins that are not parallel to each other may cause the actuator to bind.

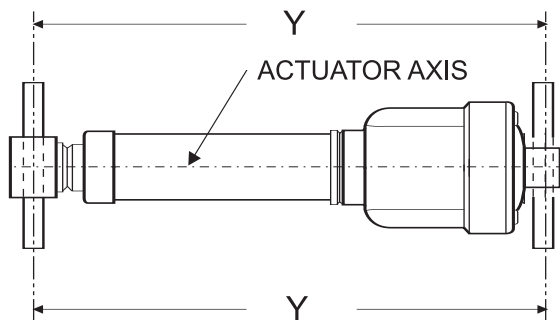


Figure 1

The load should act along the stroke axis of the actuator since off center loads may cause binding and lead to premature failure. See Figure 2.

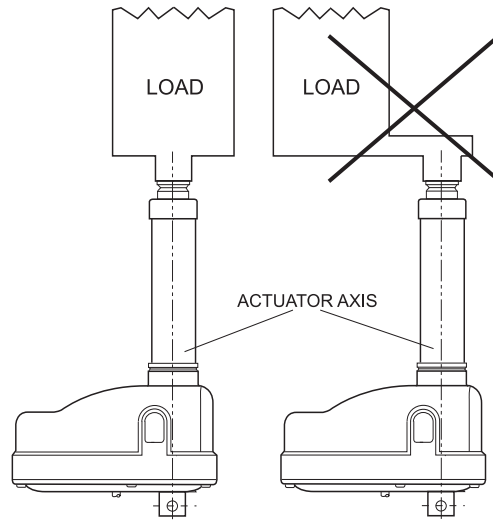


Figure 2

Make sure mounting pins are supported on both ends. Cantilever mounts are unacceptable. Failure to do so could shorten the life of the actuator. See Figure 3.

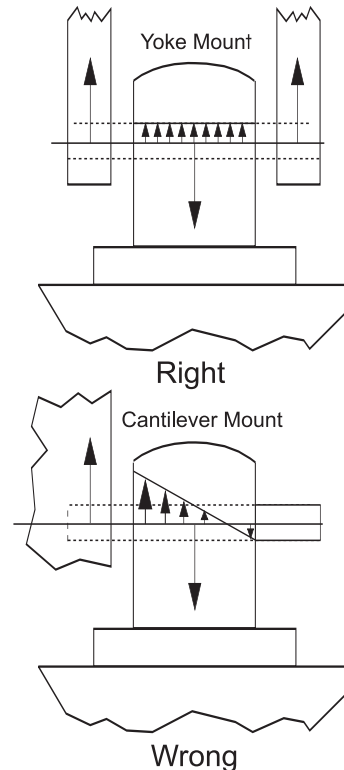


Figure 3

NOTE:

Do not attempt to mount the E150 on its cover tube. The tube is not designated to support the forces required for this type of mounting.

Under certain high vibration conditions a support bracket may be necessary to support the end of the actuator housing to prevent actuator damage. Consult factory for recommended bracket design.

Electrical Installation Wiring

Thomson actuators should be connected in accordance with the wiring diagram shown below.

WARNING Disconnect power before adjusting limit switches if actuator is stalled at the end of the stroke. Limit switches may be damaged if adjustment is attempted while motor is stalled.

DC E150 Wiring Schematics Without Limit Switches

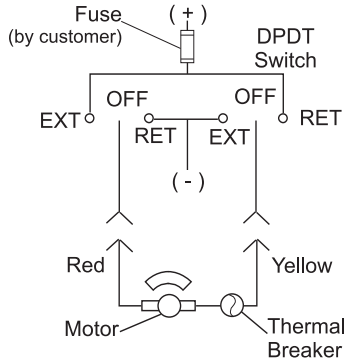


Figure 4

To extend the actuator, connect red to positive and yellow to negative. To retract the actuator, connect red to negative and yellow to positive.

Without Limit Switches (Metric) (Metric - Units sold w/P/N DFXX-I0W5XMXXXX)

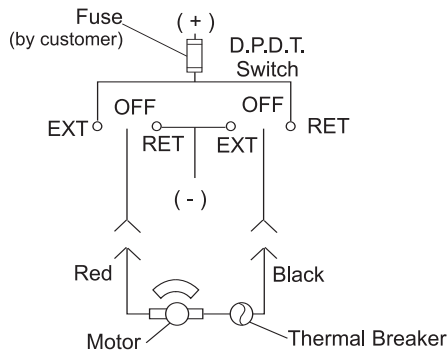


Figure 5

To extend the actuator, connect red to positive and black to negative. To retract the actuator, connect red to negative and black to positive.

With Limit Switches

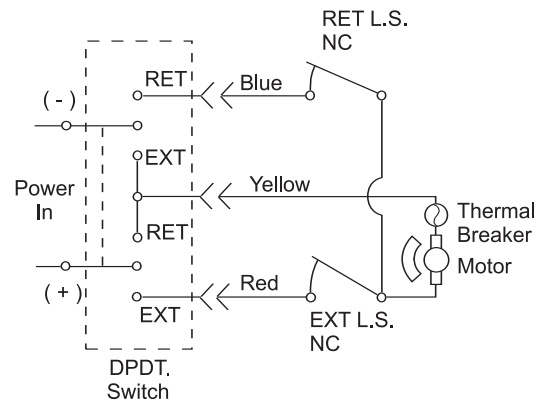


Figure 6

To extend the actuator, connect red to positive and yellow to negative. To retract the actuator, connect yellow to positive and blue to negative.

With Limit Switches (Metric) (Metric - Units sold w/P/N DFXX-I0W5XMXXXX)

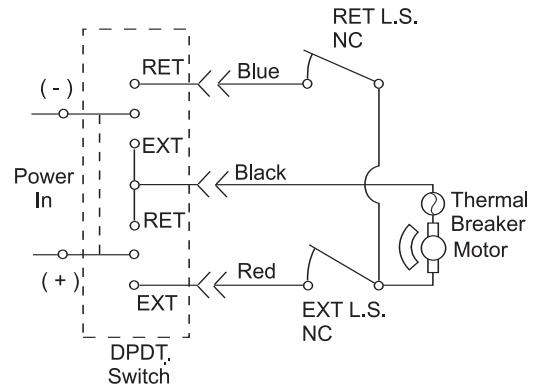


Figure 7

To extend the actuator, connect red to positive and black to negative. To retract the actuator, connect black to positive and blue to negative.

With Potentiometer

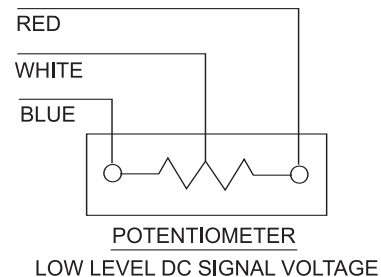
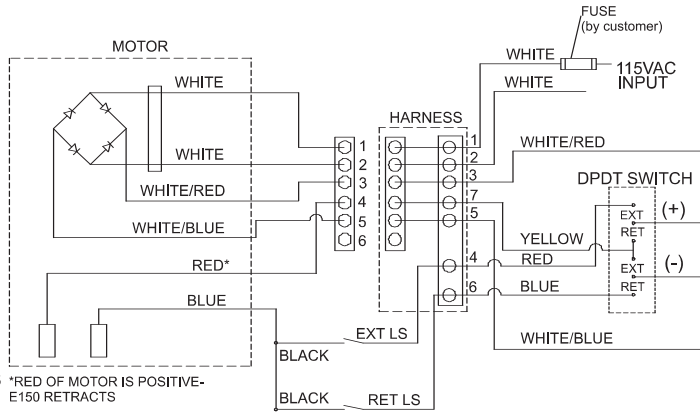
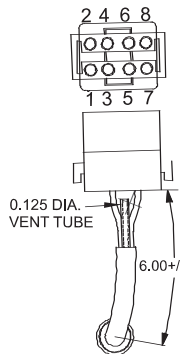


Figure 8

Resistance measured across white and blue leads will increase as actuator extends and decrease as actuator retracts. Resistance measured across white and red leads will decrease as actuator extends and increase as actuator retracts.

AC E150 Wiring Schematic

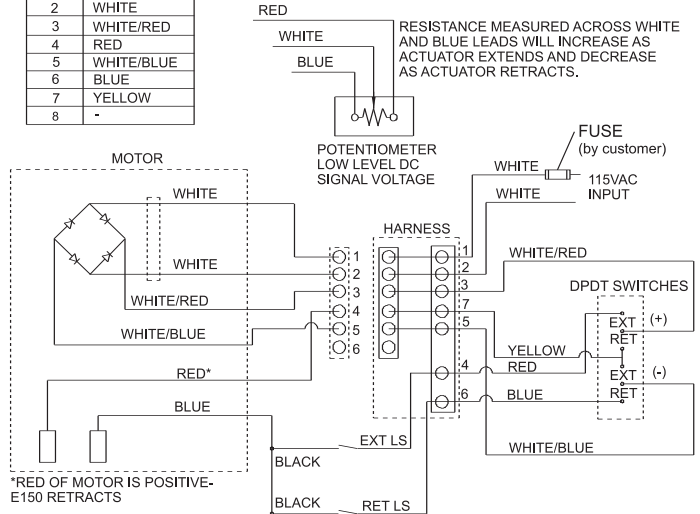
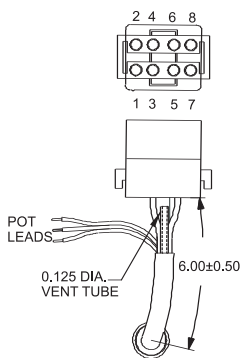
| FACTORY WIRE CONNECTIONS | |
|--------------------------|------------|
| 1 | WHITE |
| 2 | WHITE |
| 3 | WHITE/RED |
| 4 | RED |
| 5 | WHITE/BLUE |
| 6 | BLUE |
| 7 | YELLOW |
| 8 | - |



*RED OF MOTOR IS POSITIVE- E150 RETRACTS

Limit Switch Only
Figure 9

| FACTORY WIRE CONNECTIONS | |
|--------------------------|------------|
| 1 | WHITE |
| 2 | WHITE |
| 3 | WHITE/RED |
| 4 | RED |
| 5 | WHITE/BLUE |
| 6 | BLUE |
| 7 | YELLOW |
| 8 | - |

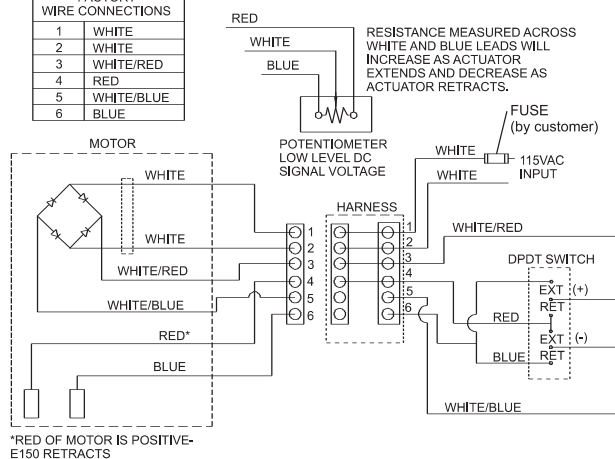
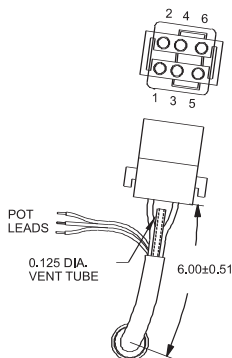


RESISTANCE MEASURED ACROSS WHITE AND BLUE LEADS WILL INCREASE AS ACTUATOR EXTENDS AND DECREASE AS ACTUATOR RETRACTS.

*RED OF MOTOR IS POSITIVE- E150 RETRACTS

Limit Switch and Pot
Figure 10

| FACTORY WIRE CONNECTIONS | |
|--------------------------|------------|
| 1 | WHITE |
| 2 | WHITE |
| 3 | WHITE/RED |
| 4 | RED |
| 5 | WHITE/BLUE |
| 6 | BLUE |



RESISTANCE MEASURED ACROSS WHITE AND BLUE LEADS WILL INCREASE AS ACTUATOR EXTENDS AND DECREASE AS ACTUATOR RETRACTS.

*RED OF MOTOR IS POSITIVE- E150 RETRACTS

Pot Only
Figure 11

Wire Gauge Selection

DC Actuators

Long lead wires between the power source and the actuator will result in a voltage drop for DC units. This voltage drop can be avoided by sizing the wire in accordance with the following wire gauge selection chart which is based on a 12 VDC power source. In order to use the chart, find the point of intersection of the two known factors, such as amperage and distance, and read the required wire gauge from the curves on the chart. Example: An E150 actuator draws 10 amps current at rated load. The intersection of the maximum current and the distance between the actuator and power source (44 feet, for example) indicates the wire gauge required (#12).

WIRE GAUGE SELECTION CHART

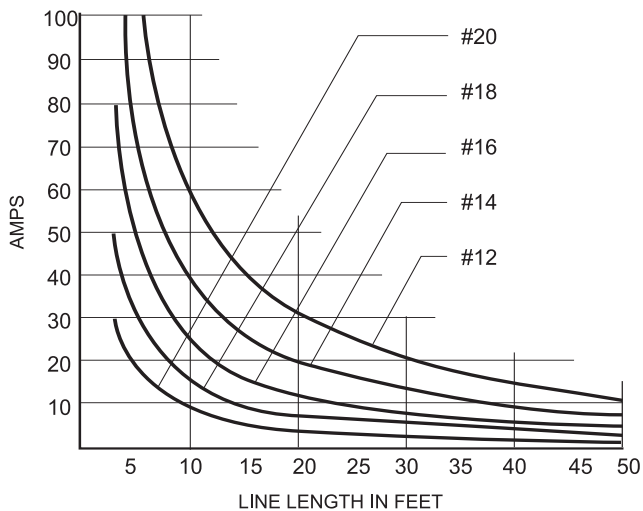


Figure 12

Switches

Actuator direction (extend, retract) is controlled with a double-throw switch with the center position "off".

Actuator Switches

(Switches may be used for both DC and AC actuators) Actuators require double pole, double-throw switches. McGill switch No. 0111-004, Cutler Hammer switch No. 8835-K4, or equivalent are recommended and are usually available locally. The required switch can be purchased from Thomson under part number 830-8004-016.

The following are required switch parameters:

- **Double-pole, double-throw**
- **20 Amp at 28 VDC**
- **Lever seal to keep out dirt and moisture**
- **Center "off"**
- **Two momentary contacts**
- **15/32" bushing**
- **Screw terminals**

Connectors

The following connectors are supplied with our units with recommendations for appropriate mating connectors. Metric units are not supplied with connectors.

DC Models without limit switches:

Packard Electric 56 Series #2984883 with (2) blade terminals #2962987 (provided.) Recommended mating connector #2973781 with (2) blade terminals #2962573.

DC Models with limit switches:

Packard Electric 56 Series #2984678 with (3) blade terminals #2962987 (provided.) Recommended mating connector #2984378 with (3) blade terminals #2962573.

AC Models with pot only:

AMP Mate-N-Lock Body #1-480271-0 and (6) AMP pin terminals #61118-1 (provided). Recommended mating AMP connector #1-480270-0 and (6) pin terminals #60618-1.

AC Models with limit switches:

AMP Mate-N-Lock Body #1-480284-0 and (7) AMP pin terminals #61118-1 (provided.) Recommended mating connectors #1-480283-0 and (7) pin terminals #60618-1.

Fuses

Fuses are not supplied by Thomson. The following Slow Blow fuses are recommended:

| Motor | Fuse |
|---------|------|
| 12 VDC | 15A |
| 24 VDC | 8A |
| 36 VDC | 6A |
| 120 VAC | 3A |

Limit Switch Adjustment

Optional on DC units.

AC units must have limit switches and/or pot for end of stroke protection.

Limit switches are preset at the factory to match the stroke indicated by your model number. Limit switches will not function properly unless wired as per the schematic found under "Wiring". Be certain that power input polarity is as shown.

WARNING Disconnect power before adjusting limit switches if actuator is stalled at the end of stroke. Limit switches may be damaged if adjustment is attempted while motor is stalled.

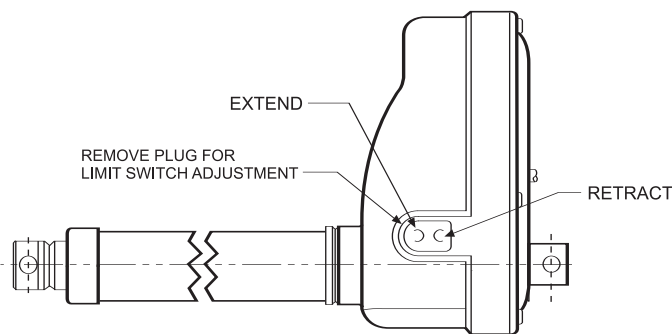
Adjustment Procedure

To Shorten or Lengthen Stroke

If adjustment is needed to shorten the extended length or lengthen the retracted length, proceed as follows:

1. Remove the rubber plug from the actuator housing covering the adjustment screws. Reinstall rubber plug after adjustment of limit switch to maintain IP56 rating. Refer to the lettering on top of the plug (Figure 13) to determine the location of the retract and extend adjustment screws.
2. To **shorten the extended length**, turn the extend adjustment screw clockwise (each turn changes the actuator travel by .90 inches (22.8 mm). Do not lengthen the extended length beyond factory settings or permanent damage may occur.
3. To **lengthen the retracted length**, turn the retract adjustment screw counterclockwise (each turn changes the actuator travel by .90 inches (22.8 mm). Do not shorten the retracted length beyond factory settings or permanent damage may occur.

Figure 13



To Correct Adjustment Screws

If the adjustment screws have been incorrectly adjusted, and the actuator stalls at the end of mechanical stroke, use the following procedure to approximate the factory setting of maximum extended length and minimum retracted length: (use 7/32" nut driver to prevent damage to adjustment screw due to over tightening).

WARNING Over tightening (more than 20 in/lbs) may cause permanent damage to the limit switch adjustment screw.

To set extend switch:

1. Turn extend adjustment screw **CW** until increased torque is felt (do not use excessive torque).
2. Turn extend adjustment screw **CCW** for 15 turns.
3. Power the actuator to full extend until motor stalls, which is the mechanical end of stroke. Shut off power.
4. Turn extend adjustment screw **CW** until increased torque is felt.
5. Turn extend adjustment screw **CCW** (3 1/4) turns.

To set retract switch:

1. Turn retract adjustment screw **CCW** until increased torque is felt (do not use excessive torque).
2. Turn retract adjustment screw **CW** for 15 turns.
3. Power the actuator to full retract until motor stalls, which is the mechanical end of stroke. Shut off power.
4. Turn retract adjustment screw **CCW** until increased torque is felt.
5. Turn retract adjustment screw **CW** (3-1/4) turns.

Run actuator in both directions to ensure that the limit switches shut off power to motor prior to actuator stall.

Troubleshooting

The chart below will be helpful for isolating malfunctions in the control system, countering difficulties with system start-up, and in troubleshooting for worn or broken mechanical or electrical components in units which have been operating for some time. For correct diagnostics, it is important to do all the tests before disassembling the actuator.

Symptom: Actuator will not extend/retract

| Check point | Probable Cause | Possible Solution |
|---|--|-----------------------------|
| No voltage or current | Actuator not receiving Power | -Check power supply |
| Proper voltage, no current | Thermal overload cut-out (when overheated) | -Let cool, check duty cycle |
| Proper voltage, current present | Actuator overloaded | -Check rated load |
| Actuator will not move off limit switch | Incorrect wiring | -Check wiring per diagram |

Symptom: Actuator stops in mid stroke

| Check point | Probable Cause | Possible Solution |
|---------------------------------|--|--|
| Proper voltage, current present | Actuator overload | -Check rated load |
| No current | Blown fuse (customer provided) Thermal cutout | -Replace fuse -Let cool, check duty cycle |
| Voltage, current present | Motor stalled | -Check voltage too low |

If the above checks do not reveal the source of the difficulty, remove the actuator from the mechanism to run on its own. Watch and listen for any changes in behavior.

Dimensions

The outline drawing shown below describes E150 screw driven actuators. The tabulated dimension chart shows the lengths for each model and also describes the part numbers.

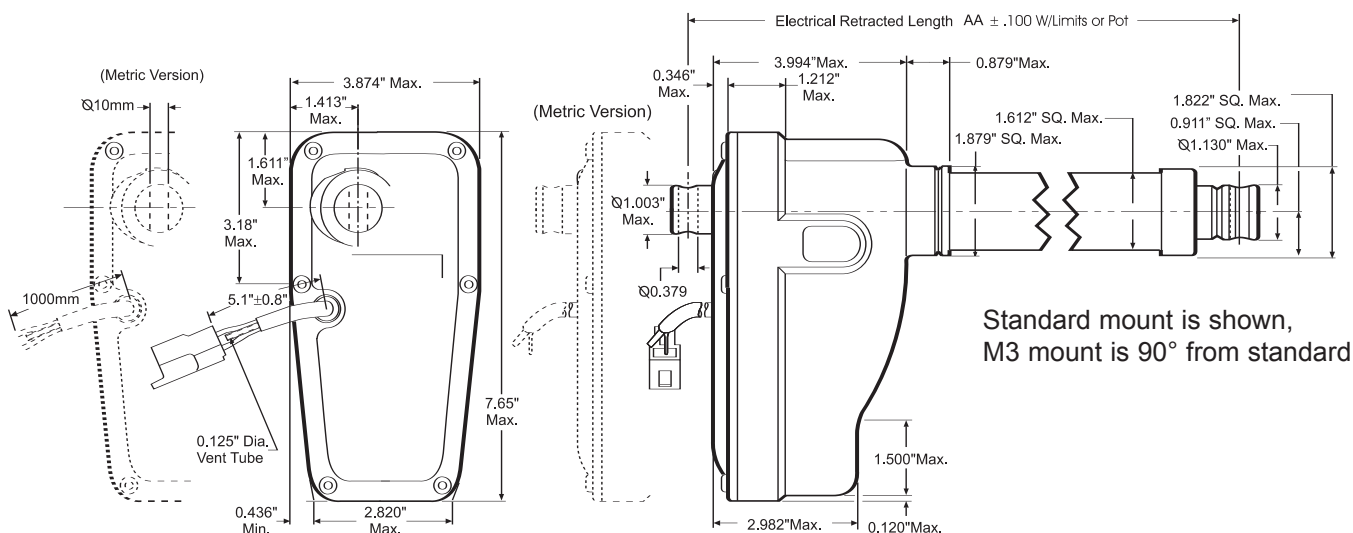
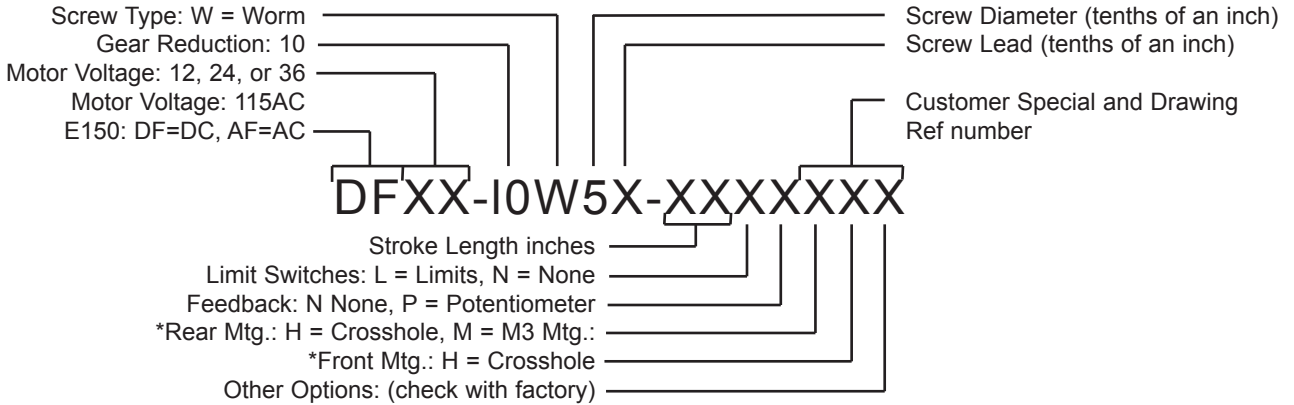


Figure 14

| Stroke Length | AA | | | | Wt lb. |
|---------------|-----------------------------|------------|------------------------------|---------------------------------|--------|
| | Mechanical No Feedback (NN) | | Electrical Limit Switch (LN) | Pot or Limit Sw and Pot (NP,LP) | |
| | 10W51 | 10W52 | | | |
| 1" | 7.51(191) | 7.56(192) | 9.01(229) | 8.51(216) | 4.79 |
| 2" | 8.51(216) | 8.56(217) | 10.01(254) | 9.51(244) | 4.89 |
| 4" | 10.51(267) | 10.56(268) | 12.01(305) | 11.51(292) | 5.18 |
| 6" | 12.51(318) | 12.56(319) | 14.01(356) | 13.51(343) | 5.46 |
| 8" | 14.51(369) | 14.56(370) | 16.01(407) | 15.51(394) | 5.75 |
| 10" | 16.51(419) | 16.56(421) | 18.01(458) | 17.51(445) | 6.03 |
| 12" | 18.51(470) | 18.56(471) | 20.01(508) | 19.51(496) | 6.32 |
| 14" | 20.51(521) | 20.56(522) | 22.01(559) | 21.51(546) | 6.60 |
| 16" | 22.51(572) | 22.56(573) | 24.01(610) | N/A | 6.88 |

E150 Model Number

(Check with factory for metric units)



*Standard practice is to make both the front and rear mount the same.

| DC Actuators Nominal Performance Charts | | | |
|---|------------------------------|---------------------------|----|
| Performance at Rated Load and 70°F (21°C) | | | |
| Input Voltage | Amperage (Max) At Rated Load | Maximum Amp Draw at Stall | |
| 12 VDC | 10-16 | 13 | 50 |
| 24 VDC | 20-28 | 6.5 | 25 |
| 36 VDC | 30-40 | 4.5 | 18 |

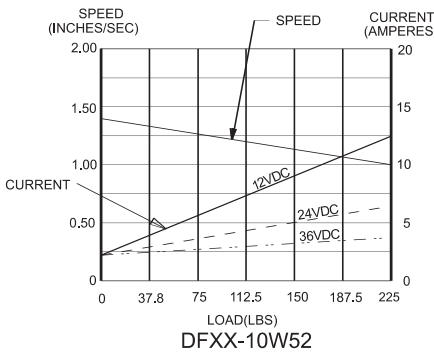
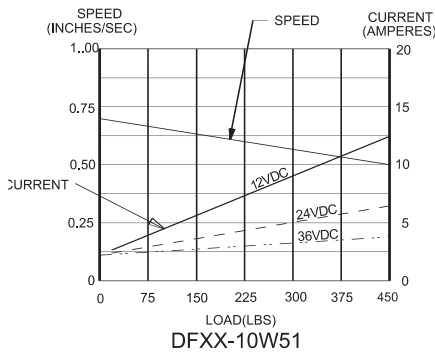
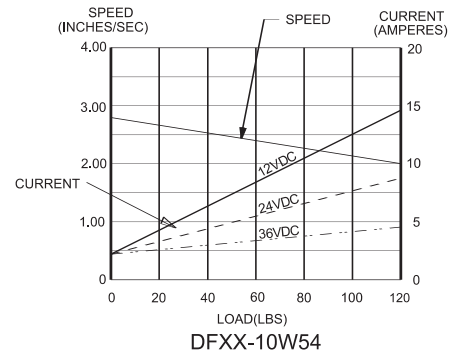


Figure 14



| AC Actuators Nominal Performance Charts | | | |
|---|------------------------------|---------------------------|-----|
| Performance at Rated Load and 70°F (21°C) | | | |
| Input Voltage | Amperage (Max) At Rated Load | Maximum Amp Draw at Stall | |
| 120 VAC | 115 | 2 | 3.3 |

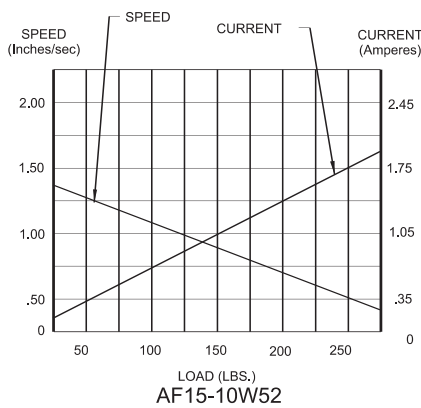
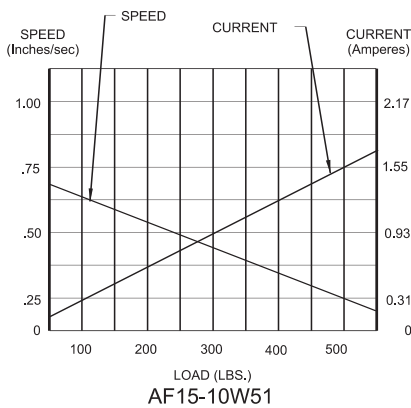
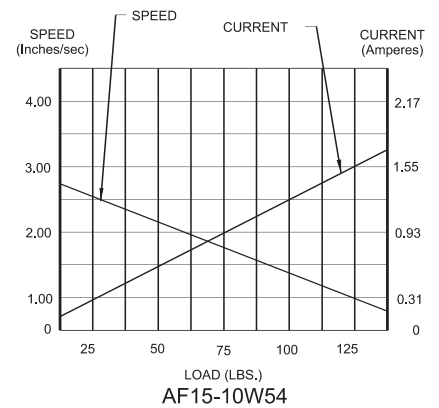


Figure 15



Warranty

Thomson warrants that it will repair or replace (whichever it deems advisable) any product manufactured and sold by it which proves to be defective in material or workmanship within a period of one (1) year from the date of original purchase for consumer, commercial or industrial use.

This warranty extends only to the original purchaser and is not transferable or assignable without Thomson's prior consent.

Warranty service can be obtained in the U.S.A. by returning any defective product, transportation charges prepaid, to the appropriate Thomson factory. Contact the customer service department prior to shipment to obtain a return authorization number. Additional warranty information may be obtained by writing the Customer Service Department:

Thomson

45 Hazelwood Drive - Amherst, NY 14228
800-566-5274

A purchase receipt or other proof of original purchase will be required before warranty service is rendered. If found defective under the terms of this warranty, repair or replacement will be made, without charge, together with a refund for transportation costs. If found not to be defective, you will be notified and, with your consent, the item will be repaired or replaced and returned to you at your expense.

damage or defect which results from alteration, accident, neglect, or improper installation, operation, or maintenance. Some states do not allow limitation on how long an implied warranty lasts, so the above limitation may not apply to you.

Thomson's obligation under this warranty is limited to the repair or replacement of the defective product and in no event shall Thomson be liable for consequential, indirect, or incidental damages of any kind incurred by reason of the manufacture, sale or use of any defective product. Thomson neither assumes nor authorizes any other person to give any other warranty or to assume any other obligation or liability on its behalf.

WITH RESPECT TO CONSUMER USE OF THE PRODUCT, ANY IMPLIED WARRANTIES WHICH THE CONSUMER MAY HAVE ARE LIMITED IN DURATION TO ONE YEAR FROM THE DATE OF ORIGINAL CONSUMER PURCHASE. WITH RESPECT TO COMMERCIAL AND INDUSTRIAL USES OF THE PRODUCT, THE FOREGOING WARRANTY IS IN LIEU OF AND EXCLUDES ALL OTHER WARRANTIES, WHETHER EXPRESS OR IMPLIED BY OPERATION OF LAW OR OTHERWISE, INCLUDING, BUT NOT LIMITED TO, ANY IMPLIED WARRANTIES OF MERCHANTABILITY OR FITNESS.

Some states do not allow the exclusion or limitation of incidental or consequential damages, so the above limitation or exclusion may not apply to you. This warranty gives you specific legal rights and you may also have other rights that vary from state to state.

Thomson
1300 N. State St.
Marengo, Il. 60152
Phone: 1-800-554-8466
Fax: 1-800-445-0329
www.thomsonlinear.com

Or write:

Thomson
1300 N. State St.
Marengo, Il. 60152