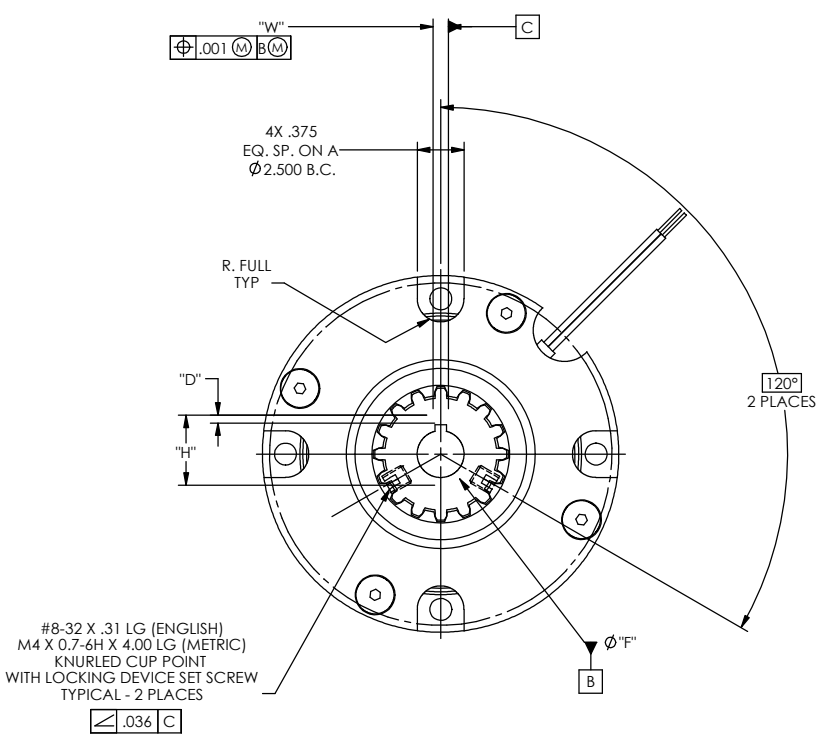
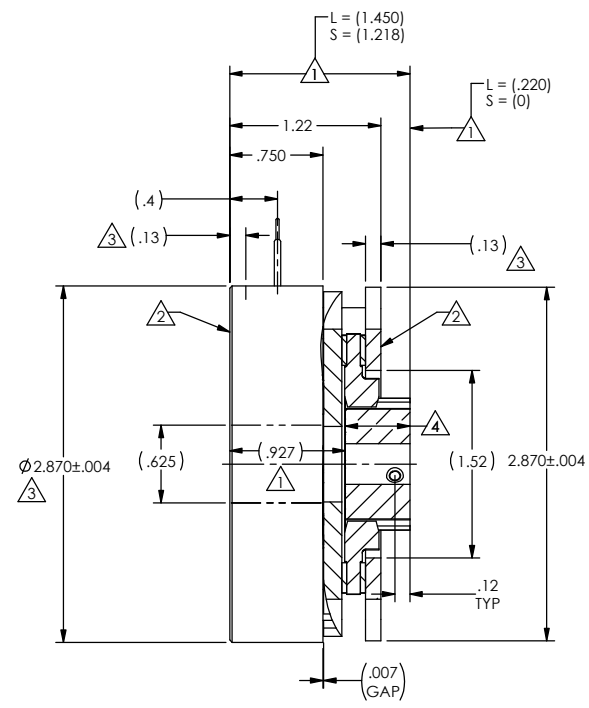
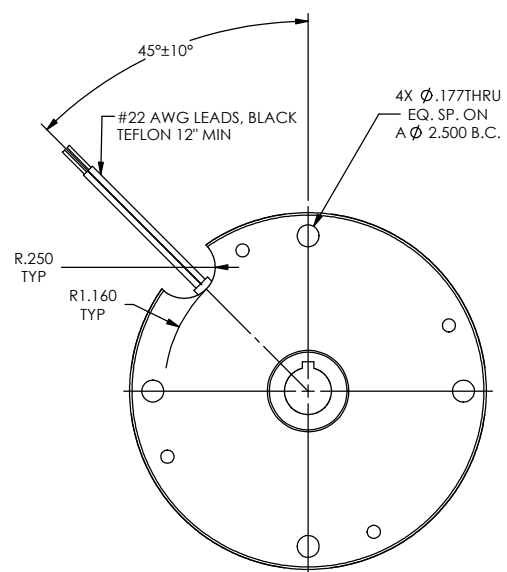
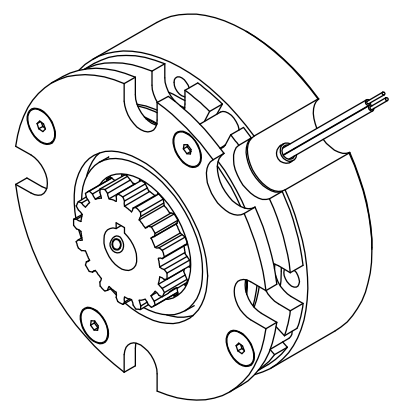


MODEL NUMBER	ØF	H	W	A	VOLTAGE	MODEL NUMBER	ØF	D	W	A	VOLTAGE
SB-26-24-E06S	.3750	.425	.0938	1.218±.010	24 VDC	SB-26-24-M10S	10MM	1.4MM	3MM	1.218±.010	24 VDC
SB-26-24-E08S	.5000	.564	.1250			SB-26-24-M12S	12MM	1.8MM	4MM		
SB-26-24-E10S	.6250	.709	.1880			SB-26-24-M16S	16MM	2.3MM	5MM		
SB-26-24-E06L	.3750	.425	.0938	1.45	24 VDC	SB-26-24-M10L	10MM	1.4MM	3MM	1.45	24 VDC
SB-26-24-E08L	.5000	.564	.1250			SB-26-24-M12L	12MM	1.8MM	4MM		
SB-26-24-E10L	.6250	.709	.1880			SB-26-24-M16L	16MM	2.3MM	5MM		
SB-26-90-E06S	.3750	.425	.0938	1.218±.010	90 VDC	SB-26-90-M10S	10MM	1.4MM	3MM	1.218±.010	90 VDC
SB-26-90-E08S	.5000	.564	.1250			SB-26-90-M12S	12MM	1.8MM	4MM		
SB-26-90-E10S	.6250	.709	.1880			SB-26-90-M16S	16MM	2.3MM	5MM		
SB-26-90-E06L	.3750	.425	.0938	1.45	90 VDC	SB-26-90-M10L	10MM	1.4MM	3MM	1.45	90 VDC
SB-26-90-E08L	.5000	.564	.1250			SB-26-90-M12L	12MM	1.8MM	4MM		
SB-26-90-E10L	.6250	.709	.1880			SB-26-90-M16L	16MM	2.3MM	5MM		

CUSTOM BORE AVAILABLE, CONTACT THOMSON DELTRAN FOR ASSISTANCE

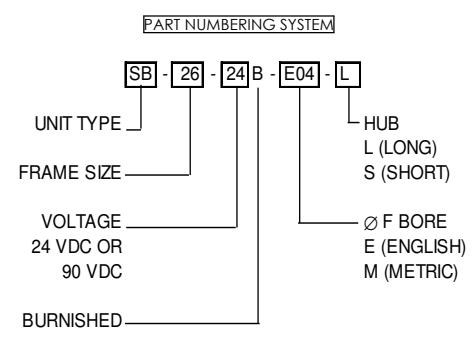


REVISIONS					
REV	ECO	DESCRIPTION	DATE	BY	CHECKED
		NEW DRAWING			



TECHNICAL DATA @ 20°C		
STATIC TORQUE MIN	40 LB-IN	
COIL DATA:	(24 V _{DC})	(90 V _{DC})
	RESISTANCE (OHMS)	32.5±10% 50±10%
	POWER (WATTS) MAX	19.7 @ 24 V _{DC} 17.8 @ 90 V _{DC}
PULL-IN VOLTAGE (V _{DC}) MAX	16	60
	21.6 VDC @ MIN AMP TURNS	81 VDC @ MIN AMP TURNS
PULL-IN TIME (ms) MAX	40	
DROP-OUT TIME (ms) MAX	20	
DIELECTRIC STRENGTH	500 VAC - 60 HZ - 1 MIN	
INSULATION RESISTANCE	500 MEGOHMS MIN @ 500 VDC	
BRAKE ROTOR / HUB INERTIA	1.1382 X 10 ⁻⁴ LB IN SEC ²	
BRAKE WEIGHT	1.20 LBS	

- △ HUB LOCATION (SET BY CUSTOMER)
 - △ CAN BE MOUNTED ON EITHER FACE
 - △ Ø2.87 ±.01 ACCEPTABLE BEYOND (.13)
 - △ S= HUB .020 OFF ARMATURE AND FLUSH WITH FLANGE.
 - △ 100°C MOTOR AMBIENT TEMP. @ BRAKE LOCATION
BRAKE COIL TEMP RISE (40°C) WHEN CONTINUOUSLY ENERGIZED @ RATED VOLTAGE. I. e., 140°C
BRAKE WILL RELIABLY RELEASE @ 90% OF RATED VOLTAGE.
6. BACKLASH REQUIREMENT: 1.5° MAX.



ASSEMBLY AND ALL COMPONENTS MUST MEET EU DIRECTIVE 2002/95/EC (RoHS)

THIRD ANGLE PROJECTION	UNLESS OTHERWISE SPECIFIED: DIMENSIONS ARE IN INCHES. DIAMETERS CONCENTRIC. .003 TIR. FACES PERPENDICULAR. .003 INTERPRETATION PER ASME Y14.5M-1994.	REMOVE ALL BURRS AND BREAK SHARP EDGES - .003/010. ALL INSIDE CORNERS TO BE .015 R MAX UNLESS OTHERWISE SPECIFIED.	
	FRACTIONS ±1/64 DECIMALS .00 ±.01 ANGLES ±30' MACHINE SURFACES .000 ±.005	HEAT TREAT	
APPROVALS	DATE	SERVO BRAKE ENGLISH-METRIC	
DRAWN: CLW	02-17-97	SIZE: C	DWG. NO.: SB-26 CATALOG
CHECKED: AJC	03-04-97	SCALE: 1:1	SHEET 1 OF 1
DESIGN: DES ENG		CODE IDENT: 58655	