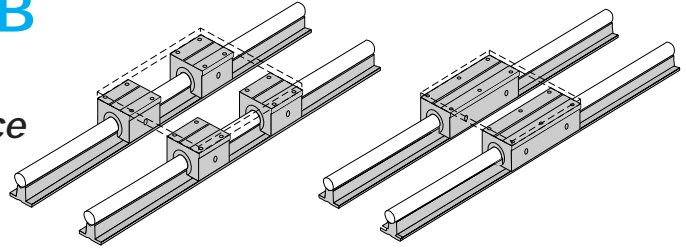


Continuous Support 1PB

Linear Guide #6

Fully Supported, Highest Performance
Industry Standard Dimensions



METRIC

Double Continuously Supported Linear Guide with 4 Pillow Blocks

Double Continuously Supported Linear Guide with 2 Twin Pillow Blocks

Load Rating and Limit by Direction

	Dynamic Load Rating	Load Limit
F_c	C	C
F_t	0.5C	0.5C
F_s	C	0.5C

Dynamic Load Rating
 Load value used in life calculation.
Load Limit
 Maximum allowable load applied to bearing.

Continuously Supported Linear Guide 1PB Double with 4 Pillow Blocks (Dimensions in mm)

Part Number	Nominal Diameter	L1	H	H1	A	A1	B1	B9	Pillow Block	Shaft Support Rail Assembly
1PB-M12-LWO	12	39	46	28	43	21,5	21,5	43	SPPBO-M12-XS	SRA-M12-XS
1PB-M16-LWO	16	43	52	30	48	24,0	26,5	53	SSEPBO-M16-XS	SRA-M16-XS
1PB-M20-LWO	20	54	63	38	56	28,0	30,0	60	SSEPBO-M20-XS	SRA-M20-XS
1PB-M25-LWO	25	67	72	42	60	30,0	39,0	78	SSEPBO-M25-XS	SRA-M25-XS
1PB-M30-LWO	30	79	88	53	74	37,0	43,5	87	SSEPBO-M30-XS	SRA-M30-XS
1PB-M40-LWO	40	91	105	60	78	39,0	54,0	108	SSEPBO-M40-XS	SRA-M40-XS

Continuously Supported Linear Guide 1PB Double with 2 Twin Pillow Blocks (Dimensions in mm)

Part Number	Nominal Diameter	L2	H	H1	A	A1	B1	B9	Maximum Stroke Length	Pillow Block	Shaft Support Rail Assembly
1PB-M12-MWO	12	76	46	28	43	21,5	21,5	43	L-(76)	SPTWNO-M12-XS	SRA-M12-XS
1PB-M16-MWO	16	84	52	30	48	24,0	26,5	53	L-(84)	SSETWNO-M16-XS	SRA-M16-XS
1PB-M20-MWO	20	104	63	38	56	28,0	30,0	60	L-(104)	SSETWNO-M20-XS	SRA-M20-XS
1PB-M25-MWO	25	130	72	42	60	30,0	39,0	78	L-(130)	SSETWNO-M25-XS	SRA-M25-XS
1PB-M30-MWO	30	152	88	53	74	37,0	43,5	87	L-(152)	SSETWNO-M30-XS	SRA-M30-XS
1PB-M40-MWO	40	176	105	60	78	39,0	54,0	108	L-(176)	SSETWNO-M40-XS	SRA-M40-XS

Continuously Supported Linear Guide 1PB Benefits:

- Requires only one part number to specify the entire linear guide.
- Allows for custom table mounting
- Used in continuously supported applications when rigidity is required.

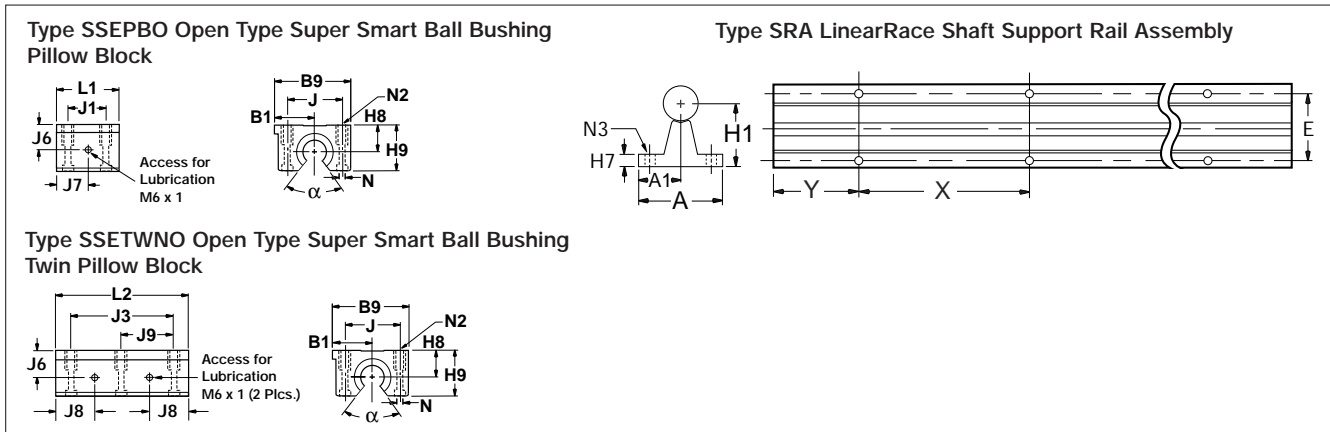
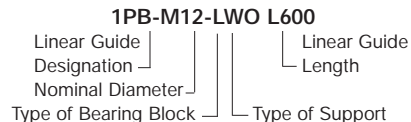
Continuously Supported Linear Guide 1PB Components:[†]

- 4 Super Smart Ball Bushing* open type pillow blocks or 2 Super Smart Ball Bushing open type twin pillow blocks.
- 2 60 Case* LinearRace* shaft Support Rail Assemblies.

Specifying a Thomson Linear Guide:

1. Determine the proper system for your load and life requirements.
2. Select the part number.
3. Add the letter "L" followed by the overall length in millimeters, as a suffix to the part number.

Part Numbering System



Type SSEPBO Pillow Blocks (Dimensions in mm)

Part Number	Nom. Dia.	L1	H8	H9	B1	B9	J6	J7	J	J1	N Dia.	N2	α Deg	Mass kg
SPPBO-M12-XS	12	39	18	28	21,5	43	16,7	19,5	32	23	4,3	M5	66	0,11
SSEPBO-M16-XS	16	43	22	35	26,5	53	22,0	21,5	40	26	5,3	M6	66	0,17
SSEPBO-M20-XS	20	54	25	41	30,0	60	25,0	27,0	45	32	6,6	M8	60	0,30
SSEPBO-M25-XS	25	67	30	50	39,0	78	31,5	33,5	60	40	8,4	M10	60	0,57
SSEPBO-M30-XS	30	79	35	60	43,5	87	33,0	39,5	68	45	8,4	M10	60	0,87
SSEPBO-M40-XS	40	91	45	77	54,0	108	43,5	45,5	86	58	10,5	M12	60	1,62

Housing Material: Aluminum Alloy Grey Anodized

Type SSETWNO Pillow Blocks (Dimensions in mm)

Part Number	Nom. Dia.	L2	J3	J8	J9	Mass kg
SPTWNO-M12-XS	12	76	56	19,5	28	0,22
SSETWNO-M16-XS	16	84	64	21,5	32	0,34
SSETWNO-M20-XS	20	104	76	27,0	38	0,63
SSETWNO-M25-XS	25	130	94	33,6	47	1,18
SSETWNO-M30-XS	30	152	106	39,5	53	1,70
SSETWNO-M40-XS	40	176	124	45,5	62	3,18

Housing Material: Aluminum Alloy Grey Anodized

Type SRA LinearRace Shaft Support Rail Assembly (Dimensions in mm)

Part Number	Nom. Dia.	H1	H7	A	A1	E	X	Y	N3 Dia.	Mass kg/m
SRA-M12-XS	12	28	5	43	21,5	29	75	37,5	4,5	4,1
SRA-M16-XS	16	30	5	48	24,0	33	100	50	5,5	6,2
SRA-M20-XS	20	38	6	56	28,0	37	100	50	6,6	9,5
SRA-M25-XS	25	42	6	60	30,0	42	120	60	6,6	13,7
SRA-M30-XS	30	53	8	74	37,0	51	150	75	8,6	20,0
SRA-M40-XS	40	60	8	78	39,0	55	200	100	8,6	32,5

LinearRace Shaft Support Rail Material: Aluminum Alloy Grey Anodized

Maximum length of LinearRace Shaft Support Rail is 600 mm. If longer continuous one-piece LinearRace Shaft Support Rails are required, contact the Thomson Linear Guide application engineering department.

Dynamic Load Rating (C) Matrix (100 km travel)

Linear Guide Assembly Part No.	Dynamic Load Rating, C (N) (Even Distribution)	Pillow Block Part No.	Pillow Block Dynamic Load Rating, C (N)
1PB-M12-LWO	3000	SPPBO-M12-XS	750
1PB-M16-LWO	8800	SSEPBO-M16-XS	2200
1PB-M20-LWO	16000	SSEPBO-M20-XS	4000
1PB-M25-LWO	26800	SSEPBO-M25-XS	6700
1PB-M30-LWO	33200	SSEPBO-M30-XS	8300
1PB-M40-LWO	54800	SSEPBO-M40-XS	13700

Dynamic Load Rating (C) Matrix (100 km travel)

Linear Guide Assembly Part No.	Dynamic Load Rating, C (N) (Even Distribution)	Pillow Block Part No.	Pillow Block Dynamic Load Rating, C (N)
1PB-M12-MWO	2440	SPTWNO-M12-XS	1500
1PB-M16-MWO	8800	SSETWNO-M16-XS	4400
1PB-M20-MWO	16000	SSETWNO-M20-XS	8000
1PB-M25-MWO	26800	SSETWNO-M25-XS	13400
1PB-M30-MWO	33200	SSETWNO-M30-XS	16600
1PB-M40-MWO	54800	SSETWNO-M40-XS	27400

[†] Super Plus Ball Bushing* bearings are used in 12 mm size pillow blocks.